



TL6

Plate Heat Exchanger

Applications

General heating and cooling duties.

Standard design

The plate heat exchanger consists of a pack of corrugated metal plates with portholes for the passage of the two fluids between which heat transfer will take place.

The plate pack is assembled between a fix frame plate and a movable pressure plate and compressed by tightening bolts. The plates are fitted with a gasket which seals the interplate channel and directs the fluids into alternate channels. The number of plates is determined by the flow rate, physical properties of the fluids, pressure drop and temperature program. The plate corrugations promote fluid turbulence and support the plates against differential pressure.

The plate and the pressure plate are suspended from an upper carrying bar and located by a lower guiding bar, both of which are fixed to a support column.

Connections are located in the frame plate or, if either or both fluids make more than a single pass within the unit, in the frame and pressure plates.

Typical capacities

Liquid flow rate

Up to 20 kg/s (317 gpm), depending on media, permitted pressure drop and temperature program.

Plate types

TL6-B

Frame types

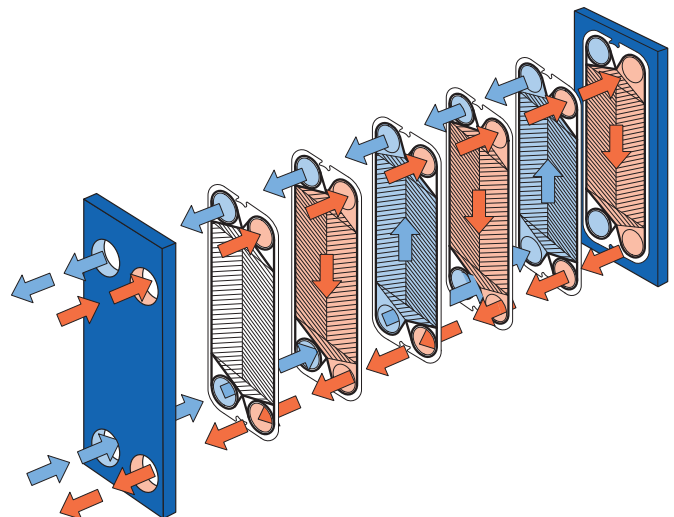
FM, FG and FD

Working principle

Channels are formed between the plates and the corner ports are arranged so that the two media flow through alternate channels. The heat is transferred through the plate between the channels, and complete counter-current flow is created for highest possible efficiency. The corrugation of the plates provides the passage between the plates, supports each plate against the adjacent one and enhances the turbulence, resulting in efficient heat transfer.



TL6-FG



Flow principle of a plate heat exchanger

STANDARD MATERIALS

Frame plate

Mild steel, Epoxy painted

Nozzles

Carbon steel

Metal lined: Stainless steel, Titanium

Rubber lined: Nitrile, EPDM

Pipe: Stainless steel

Plates

Stainless steel Alloy 316 / Alloy 304, Titanium, Alloy 254 SMO, Alloy C276

Gaskets

Nitrile, EPDM, Viton®

Other grades and material available on request

TECHNICAL DATA

Pressure vessel codes, PED, ASME, pvcALS™

Mechanical design pressure (g) / temperature

FM	pvcALS™	1.0 MPa / 180°C
FM	PED	1.0 MPa / 180°C
FG	pvcALS™	1.6 MPa / 180°C
FG	PED	1.6 MPa / 180°C
FG	ASME	150 psig / 482°F
FD	pvcALS™	2.5 MPa / 180°C
FD	PED	2.5 MPa / 180°C
FD	ASME	300 psig / 482°F

Connections

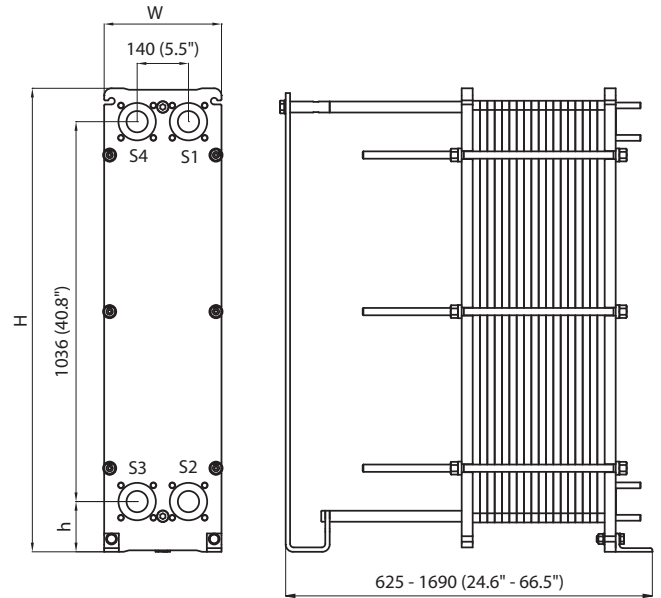
Pipe connections (not for frame type FD)

Straight threaded	Size 50 mm	ISO G2", NPT 2"
Threaded inlet port	Size 50 mm	ISO G2"

Flange connections

	Size:	
FM pvcALS™	50/65 mm	DIN/GB/GOST PN16, ASME Cl.150, JIS 10K
FM PED	50/65 mm	DIN PN16, ASME Cl. 150
FG pvcALS™	50/65 mm	DIN/GB/GOST PN16, ASME Cl. 150, JIS 10K, JIS 16K
FG PED	50/65 mm	DIN PN16, ASME Cl. 150
FG ASME	2-2½" in	ASME Cl.150
FD pvcALS™	50/65 mm	DIN/GB/GOST PN40, ASME Cl.300, JIS 20K
FD PED	50/65 mm	DIN PN40, ASME Cl. 300
FD ASME	2-2½" in	ASME Cl. 300

Dimensions



Measurements mm (inch)

Type	H	W	h
TL6-FM / PED / pvcALS™	1264 (49.8")	320 (12.6")	137 (5.4")
TL6-FG / PED / pvcALS™	1264 (49.8")	320 (12.6")	137 (5.4")
TL6-FG / ASME	1299 (51.1")	320 (12.6")	142 (5.6")
TL6-FD / PED / pvcALS™	1264 (49.8")	330 (13.0")	137 (5.4")
TL6-FD / ASME	1308 (51.5")	330 (13.0")	142 (5.6")

The number of tightening bolts may vary depending on pressure rating.

Maximum heat transfer surface

102.0 m² (1097 sq.ft)

Particulars required for quotation

- Flow rates or heat load
- Temperature program
- Physical properties of liquids in question (if not water)
- Desired working pressure
- Maximum permitted pressure drop

How to contact Alfa Laval

Up-to-date AlfaLaval contact details for all countries are always available on our website on www.alfalaval.com